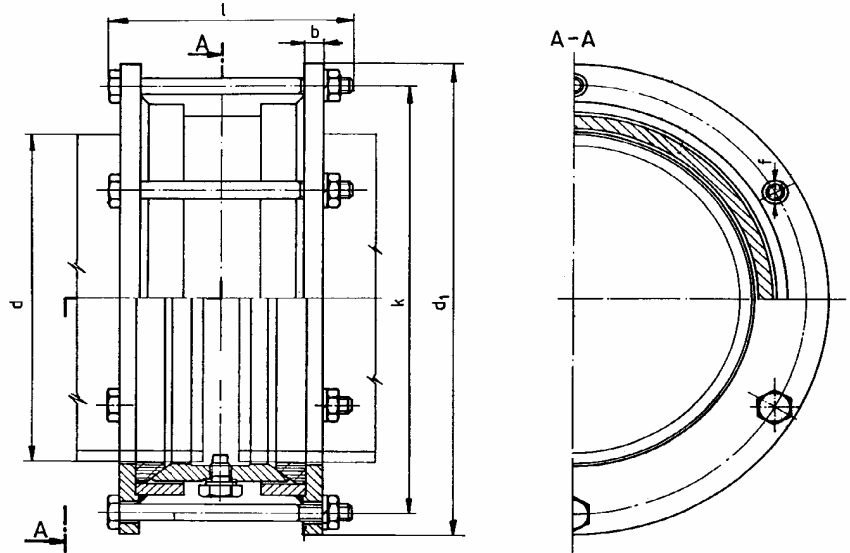


VERSION A – FLEXIBLE COUPLINGS WITH NBR SEALINGS FROM -30° TO +90°C

VERSION B – FLEXIBLE COUPLINGS WITH VITON SEALINGS FROM -30° TO +160°C



NOMINAL DIAMETER DN	Tubes outer diameter		d ₁	b	Drilling			l	No. of corks	Weight ~ kg		
	d	TOLERANCE			k ± 0,2	f	n .					
50	60,3	+ 1,6 - 0,4	155	10	125	14	4	153	1	3		
65	76,1		170		140					4	4	
80	88,9		185		155					4	5	
100	114,3		210		180					4	7	
125	139,7		235		205					4	9	
150	168,3		265		235					4	13	
(175)	193,7		290	260	6		158	15				
200	219,1		315	285						6	17	
250	273		385	345	18		18	8		245	2 - 180°	27
300	323,9		435	395								6
350	355,6	475	435	8		38						
400	406,4	530	490	8		48						
(450)	457,2	580	540	10		250		3 - 120°	57			
500	508	630	590						10	76		
600	609,6	+ 3 - 1	735	18		12		250	3 - 120°	89		
700	711,2		840							800	12	98
800	812,8		940		900		14			110		

TESTING PRESSURE 25 bar

FOR DN 700 AND 800 WORK PRESSURE 12 bar, TESTING PRESSURE 19 bar